

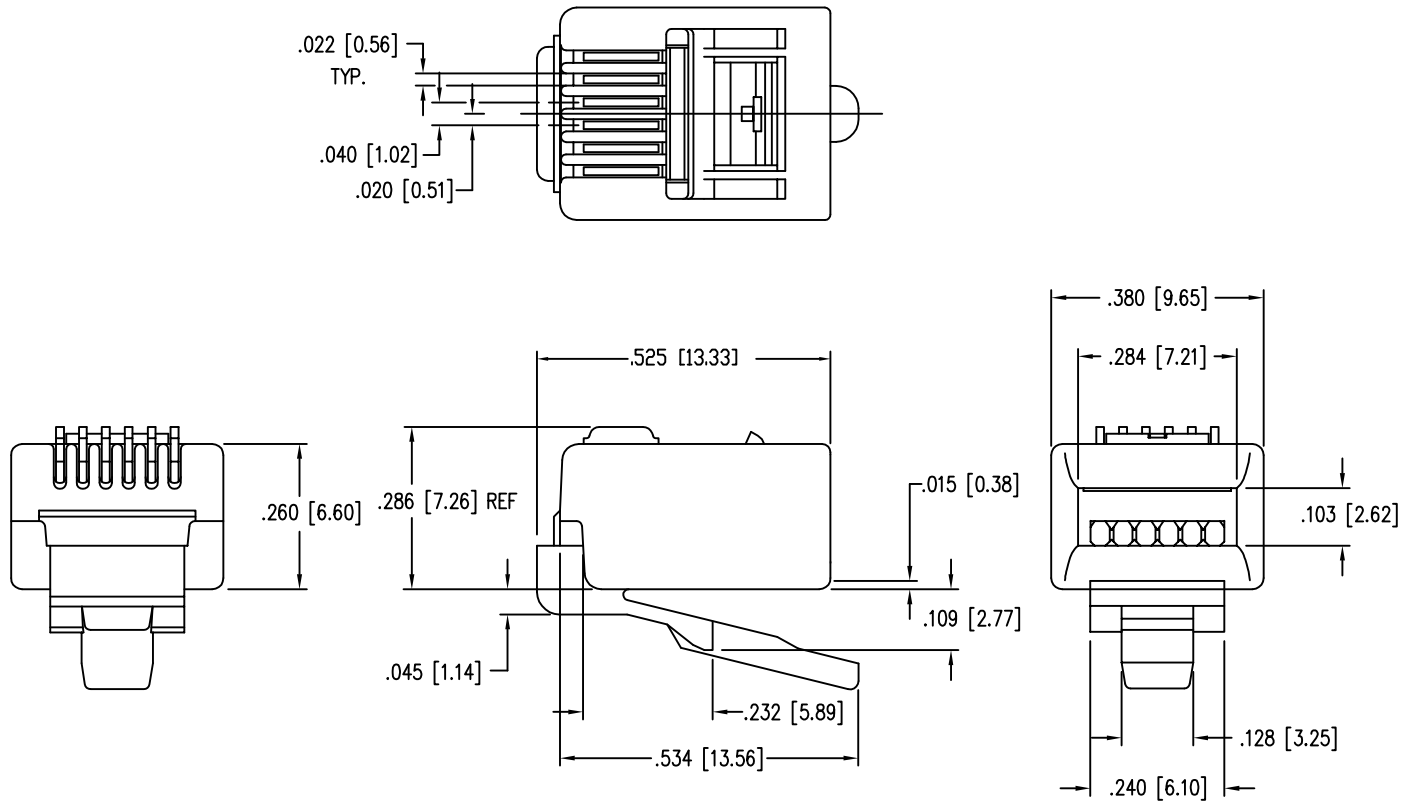
# Sentinel<sup>®</sup> Connector Systems Inc.

1953 Stanton Street

York, Pa. 17404

PART NO.: 101-060600-54

- \* SIX CONDUCTOR MODULAR PLUG
- \* FOR CONDUCTORS WITH MAXIMUM O.D. OF .038
- \* FOR SOLID WIRE APPLICATIONS
- \* USES .012 THICKNESS CONTACTS



**SPECIFICATIONS :**

CONTACT MATERIAL:	PHOSPHOR BRONZE - .012 THK.
CONTACT PLATING:	50 MICRO-INCH SELECTIVE GOLD PLATE IN CONTACT AREA OVER 100 MICRO-INCH MINIMUM NICKEL PLATING. OTHER PLATING THICKNESSES AVAILABLE.
PLUG MATERIAL:	POLYCARBONATE
PLUG TOLERANCES AND DIMENSIONS:	* COMPLIES WITH ANSI/TIA-1096-A REQUIREMENTS
UL FLAMABILITY RATING:	94-V0 - File# E188111
OPERATION TEMPERATURE:	-40°C TO +70°C
INSERTION/EXTRACTION LIFE:	1000 CYCLES
CONTACT RESISTANCE:	10 MILLOHMS MAX.
CURRENT/VOLTAGE:	30 VAC/42 VDC AT 1.5 AMPS
(RoHS COMPLIANT)	

PRODUCT LINE — SIZE — OPENING — FUTURE

PART NO. = 101-060600-54XX

SERIES — # CONTACTS — KEY — CONTACT/PLATING

\* FORMER COMPLIANCE, FCC PART 68.500

RECOMMENDED HAND TOOL FROM SENTINEL: 900000 / 900205 OR 90005 / 900217

4/17/12 A2  
1/21/10 A1  
5/4/98